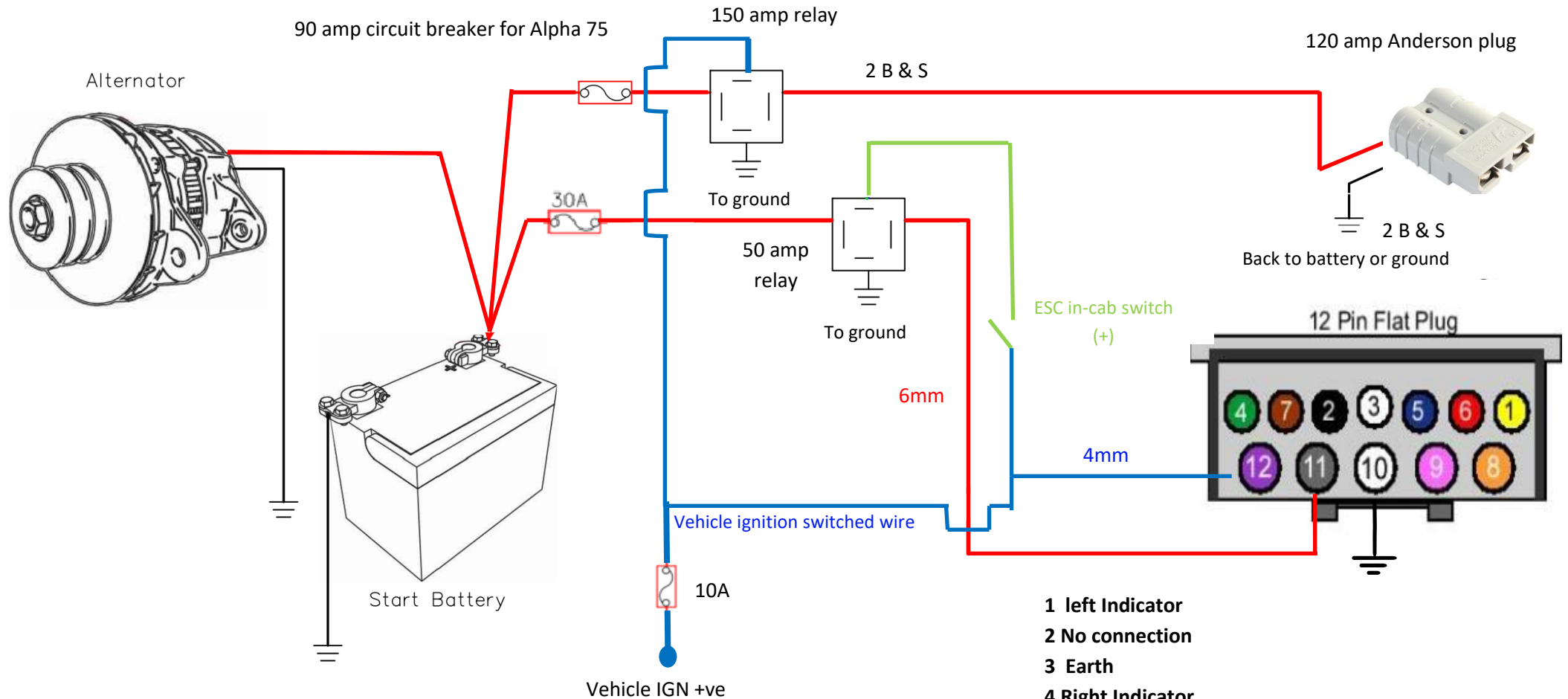


Tow vehicle wiring for vans with Drum Brakes using Redarc Alpha 75 with ESC



- The ESC is wired via 12 pin flat plug. Note the wiring configuration of the tow vehicle plug pins 10 and 11. Switch in vehicle required for ESC.
- Switch in vehicle required for ESC for ease of turning on/off when going between different terrains.
- For proper operation, the tow vehicle must provide a switched 12-volt positive feed to pin 12 via its ignition for the van's battery charging system and airbags (if equipped).
- Owners must consult the tow vehicle manufacturer to check the alternator's current supply capacity. A higher-rated alternator may be needed for full battery charging.
- AOR recommends having all vehicle wiring carried out by a qualified auto electrician.

- 1 left Indicator
- 2 No connection
- 3 Earth
- 4 Right Indicator
- 5 Electric brake controller
- 6 Stop lights
- 7 Clearance lights
- 8 No connection
- 9 no connection
- 10 ESC Negative
- 11 ESC Positive
- 12 12 volt positive switched via Ignition