

Figure 2

DIAGRAMMATICAL REPRESENTATIONS OF OUTDOOR AREAS

The following figures are diagrammatical representations of outdoor areas.
The areas used in these figures are examples - the same principles apply to any other shaped area.

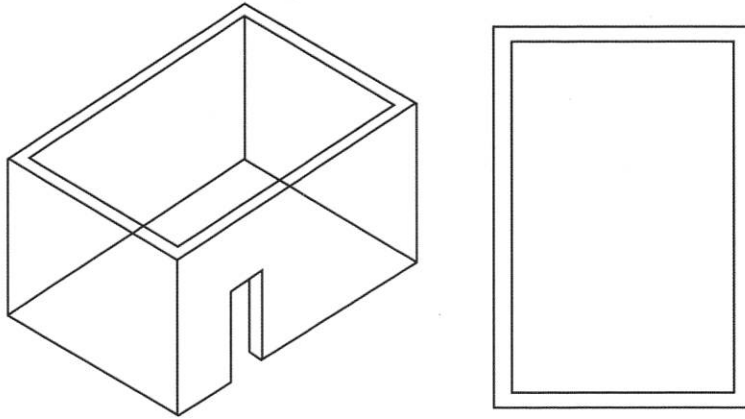


FIGURE 2 - OUTDOOR AREA - EXAMPLE 1

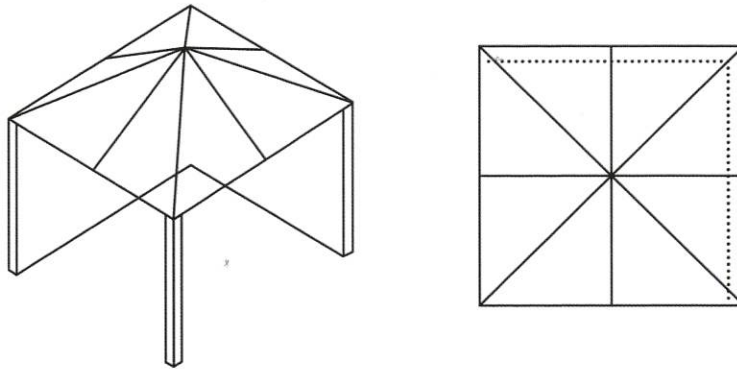


FIGURE 2 - OUTDOOR AREA - EXAMPLE 2

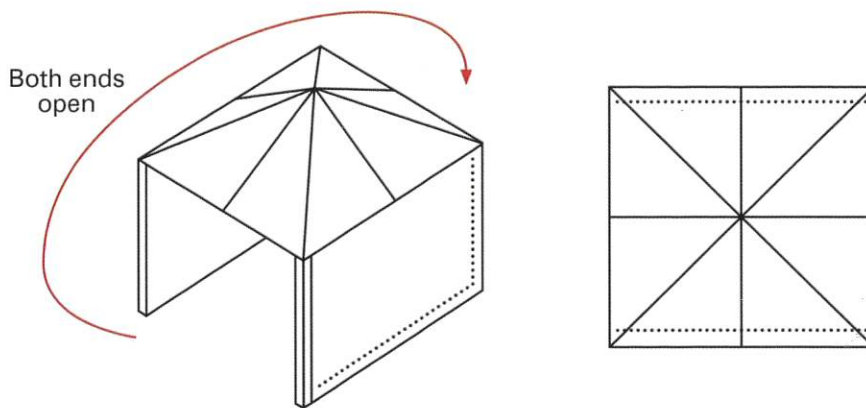


FIGURE 2 - OUTDOOR AREA - EXAMPLE 3

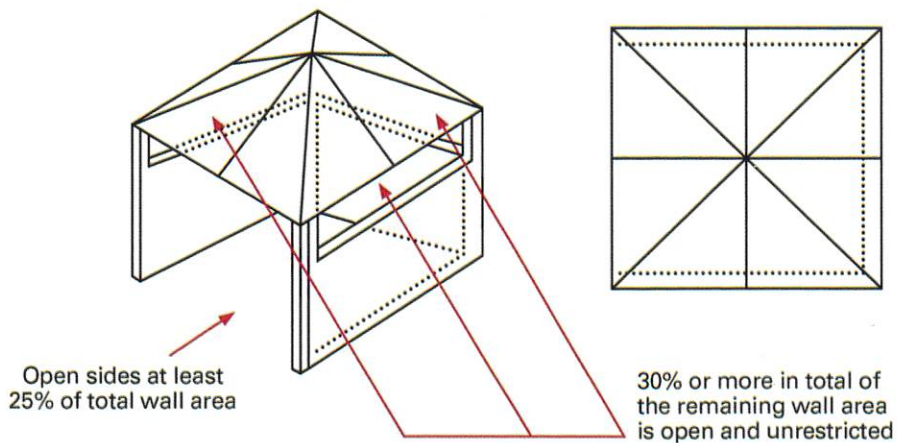


FIGURE 2 - OUTDOOR AREA - EXAMPLE 4

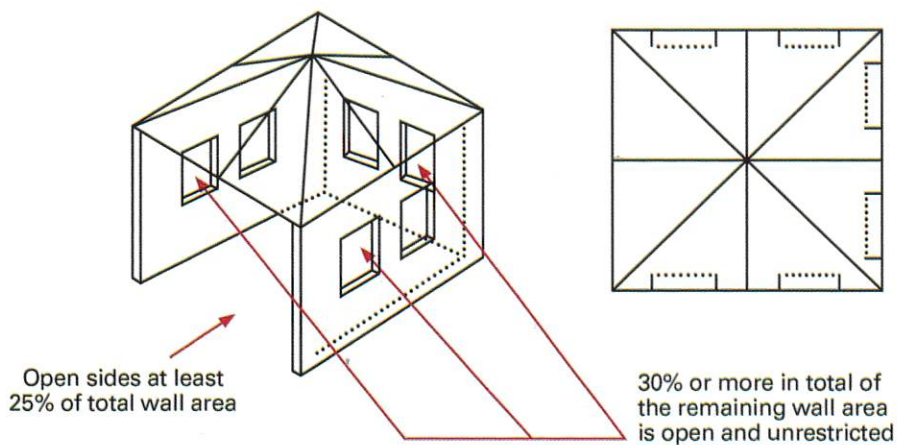


FIGURE 2 - OUTDOOR AREA - EXAMPLE 5

When installing this appliance in an enclosure:

Any enclosure in which the appliance is used shall comply with one of the following:

An enclosure with walls on all sides, but at least one permanent opening at ground level and no overhead cover. Within a partial enclosure that includes an overhead cover and no more than two walls.

Within a partial enclosure that includes an overhead cover and more than two walls, the following shall apply:-

- (i) At least 25% of the total wall area is completely open; and
- (ii) At least 30% of the remaining wall area is open and unrestricted.

In the case of balconies, at least 20% of the total of the side, back and front wall areas shall be and remain open and unrestricted.